

# VB-M44/B



## Keep every angle covered

The VB-M44 1.3 MP PTZ IP security camera combines a powerful 400x zoom, excellent low-light capability and fast auto-focus. Flexible installation options for indoor use.



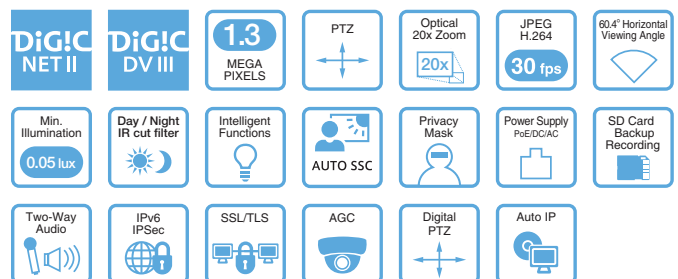
With DR41-C-VB Indoor Clear Dome Housing



VB-M44 B



- 1.3 MP PTZ IP security camera
- Powerful 20x optical zoom lens with 20x digital zoom and fast autofocus
- Superior image quality using Canon DIGIC DV III processor
- Canon DIGIC NET II supports dual H.264 video streams (up to 30 fps)
- Superior low-light performance: colour at 0.05 lux and mono at 0.003 lux
- Auto Smart Shade Control (Auto-SSC) improves foreground objects in bright backlit scenes
- Motion Adaptive Noise Reduction and Area-Specific Data Size Reduction (ADSR) help reduce data size while optimising image quality
- Built-in analytics functions for intelligent and efficient alarm detection
- Live monitoring and configuration on supported web browsers and mobile devices
- ONVIF® Profile compliant
- Two colour options: Silver (VB-M44) and Black (VB-M44B)



# Technical Specifications

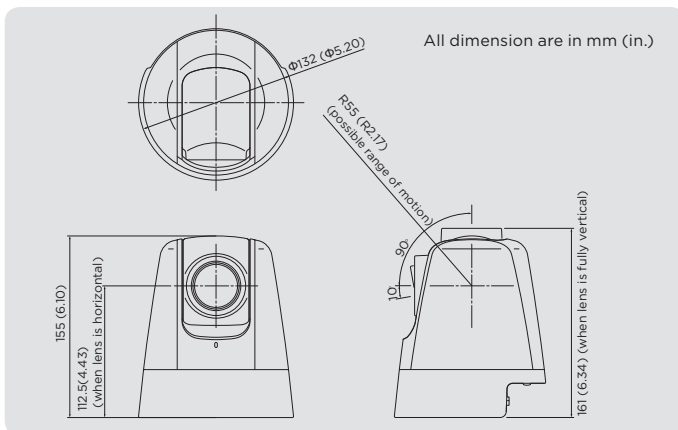
# VB-M44/B

<b>CAMERA</b>	
<b>Image Sensor</b>	1/3 type CMOS (primary colour filter)
<b>Number of Effective Pixels</b>	Approx. 1.3 million pixels
<b>Scanning Method</b>	Progressive
<b>Lens</b>	20x optical (20x digital zoom) zoom lens with auto focus
<b>Focal Length</b>	4.7 (W) – 94 mm (T) (W): maximum wide angle, (T): maximum telephoto
<b>F-number</b>	F1.6 (W) – F3.5 (T)
<b>Viewing Angle</b>	For 16:9 aspect ratios: Horizontal: 60.4° (W) – 3.2° (T) Vertical: 35.1° (W) – 1.8° (T)  For 4:3 aspect ratios: Horizontal: 46.3° (W) – 2.4° (T) Vertical: 35.1° (W) – 1.8° (T)
<b>Day / Night Switch</b>	Auto / Day Mode / Night Mode
<b>Min. Subject Illumination</b>	Day Mode (colour): 0.05 lux (F1.6, shutter speed 1/30 sec., when smart shade control is off, 50IRE)  Night Mode (monochrome): 0.003 lux (F1.6, shutter speed 1/30 sec., when smart shade control is off, 50IRE)
<b>Focus</b>	Auto / One-shot AF / Manual / Fixed at infinity
<b>Shooting Distance (from front of lens)</b>	Day Mode: 0.3 m (12 in.) – infinity (W), 1.0 m (3.3 ft.) – infinity (T) Night Mode: 1.0 m (3.3 ft.) – infinity (W), 1.5 m (4.9 ft.) – infinity (T)  When [Enable] is selected for [Dome]: Day Mode: 2.0 m (6.6 ft.) – infinity (W, T) Night Mode: 1.0 m (3.3 ft.) – infinity (W), 2.2 m (7.2 ft.) – infinity (T)
<b>Shutter Speed</b>	1, 1/2, 1/4, 1/8, 1/15, 1/30, 1/50, 1/60, 1/100, 1/120, 1/250, 1/500, 1/1000, 1/2000, 1/4000, 1/8000, 1/10000, 1/16000 sec.
<b>Exposure</b>	Auto/Auto (Flickerless)/Auto (Shutter-priority AE)/ Auto (Aperture-priority AE)/ Manual (Shutter Speed, Aperture, Gain)
<b>White Balance</b>	Auto/Manual Daylight Fluorescent/White Fluorescent/Warm Fluorescent/Mercury Lamp/Sodium Lamp/Halogen Lamp Manual: One-shot WB/R Gain/B Gain
<b>Metering Modes</b>	Center-Weighted / Average / Spot
<b>Exposure Compensation</b>	9 levels
<b>Smart Shade Control</b>	Auto / Manual / Disable Auto: 3 levels Manual: 7 levels
<b>Haze Compensation</b>	Auto / Manual / Disable Auto: 3 levels Manual: 7 levels
<b>AGC Limit</b>	6 levels
<b>Image Stabilizer</b>	2 levels (digital)
<b>Pan Angle Range</b>	340° (±170°)
<b>Tilt Angle Range</b>	100° (ceiling-mounted position: -90° – +10°)
<b>Moving Speed</b>	Pan: Max. 150°/sec., Tilt: Max. 150°/sec.
<b>SERVER UNIT</b>	
<b>Video Compression Method</b>	JPEG, H.264
<b>Video Size</b>	JPEG, H.264: 1280 x 720, 640 x 360, 320 x 180 1280 x 960, 640 x 480, 320 x 240
<b>Video Quality</b>	JPEG, H.264: 10 levels
<b>Frame Rate</b>	JPEG: 0.1 – 30 fps H.264: 1/2/3/5/6/10/15/30 fps - Values represent streaming performance from the camera. - The frame rate may be reduced due to Viewer PC's specs, the number of clients accessing at the same time, network loads, video quality setting, type or movement of the subject or other reasons.
<b>Max. Frame Rate</b>	When streaming JPEG, H.264 (1280 x 960): 30 fps When used in the following combinations: When streaming H.264(1) (1280 x 960) and H.264(2) (1280 x 960) simultaneously: 15 fps When streaming H.264(1) (1280 x 720) and H.264(2) (1280 x 720) simultaneously: 15 fps
<b>I-Frame Interval</b>	0.5 / 1 / 1.5 / 2 / 3 / 4 / 5 sec.
<b>Simultaneous Client Access</b>	Max. 30 Clients + 1 Admin Client - H.264: Max. 10 Clients
<b>Camera Control</b>	Administrator, Authorized user, Guest user (level of control varies depending on user) Max. 50 user names and passwords registered for authorized users.
<b>Access Control</b>	User authority (user name and password), Host Access Restrictions (IPv4, IPv6)
<b>Encrypted Communications</b>	SSL / TLS, IPsec (Auto Key Exchange/Manual)
<b>IEEE802.1X</b>	EAP-MD5, EAP-TLS, EAP-TTLS, EAP-PEAP
<b>Protocol</b>	IPv4, IPv6, TCP/IP, UDP, HTTP, FTP, SNMPv1/v2c/v3 (MIB2), DHCP, DNS, AutoIP, mDNS, ARP, ICMP, POP3, NTP, SMTP, RTP/RTCP, RTSP, SSL/TLS, IPsec, ONVIF, WV-HTTP (Canon proprietary)
<b>ONVIF Profile</b>	Profile-S
<b>Audio Compression Method</b>	G.711 µ-law (64 kbps)

<b>Audio Communication Method</b>	Full-duplex (two-way)/half-duplex RTP, Sound Transfer Protocol by Canon
<b>Audio File Playback</b>	Available (audio files can be played back when an event is triggered by the intelligent function or external device input.) - A third-party amplifier speaker is necessary
<b>Privacy Mask</b>	Number of registration: Max. 8 places, Number of mask colours: 1 (select from 9 colours)
<b>View Restriction</b>	Available
<b>Preset</b>	Number of registers: Max. 64 positions (+Home Position) Number of Preset Tour Route: Max. 5
<b>Intelligent Function</b>	Video: Moving Object Detection, Abandoned Object Detection, Removed Object Detection, Camera Tampering Detection, Passing Detection, Intrusion Detection Detection Settings: Max. 15 Non-detection Area Settings: Available  Audio: Volume Detection, Scream Detection
<b>Event Trigger Type</b>	External Device Input, Intelligent Function (Video), Intelligent Function (Audio), Timer, Day/Night Mode Switching  Number of Linked Events: 2 Linked Event Conditions: OR, AND (whether or not there is a sequence to events)
<b>Image Upload</b>	FTP / HTTP / SMTP (e-mail) Temporary storage memory in camera: Max. approx. 5 MB Frame Rate: Max. 10 fps (JPEG) Max. 30 fps (H.264)
<b>Event Notification</b>	HTTP / SMTP (e-mail)
<b>Enhanced Digital Zoom</b>	Available
<b>On-Screen Display</b>	Available
<b>Daylight Saving Time</b>	Available
<b>APPLICATION</b>	
<b>Viewer</b>	Camera Viewer Mobile Camera Viewer
<b>Included Software</b>	Camera Management Tool RM-Lite Recorded Video Utility On-Screen Display Assist Tool
<b>Language</b>	German/English/Spanish/French/Italian/Polish/Russian/Turkish/Thai/Korean/Chinese (Simplified) / Japanese
<b>INTERFACE</b>	
<b>Network Terminal</b>	LAN x1 (RJ45, 100Base-TX (auto / full-duplex / half-duplex))
<b>Audio Input Terminal (common for LINE IN &amp; MIC IN)</b>	Φ3.5 mm (Φ0.14 in.) mini-jack connector (monaural) LINE IN (connect to an amplifier microphone) or MIC IN (connect to a microphone w/o amplifier) - Switch LINE IN/MIC IN in the Setting Page.
<b>Audio Output Terminal (LINE OUT)</b>	Φ3.5 mm (Φ0.14 in.) mini-jack connector (monaural) LINE OUT x 1 (connect to an amplifier speaker)
<b>External Device I/O Terminal</b>	Input x 2, Output x 2
<b>Memory Card</b>	SD Memory Card, SDHC Memory Card, SDXC Memory Card Compatible. Frame Rate: Max. 1 fps (JPEG) Max. 30 fps (H.264)
<b>OTHER</b>	
<b>Operating Environment</b>	Temperature: -10°C – +50°C (+14°F – +122°F) Humidity: 5% – 85% (without condensation)
<b>Power Supply</b>	PoE: PoE power supply via LAN connector (IEEE802.3at Type1 compliant) AC Adapter: PA-V18 (100 – 240 V AC) (sold separately) External power source: 24 V AC/12 V DC
<b>Power Consumption</b>	When using PoE: Max. approx. 9.2 W* When using AC Adapter PA-V18: Max. approx. 9.9 W (100 V AC) Max. approx. 9.4 W (240 V AC)  When using DC: Max. approx. 8.6 W When using AC: Max. approx. 8.8 W * Class 0 power sourcing equipment (requests 15.4 W)
<b>Dimensions</b>	(Φx H) Φ132 x 155 mm (Φ5.20 x 6.10 in.)
<b>Weight</b>	Approx. 1140 g (2.52 lb.)
<b>International Standard</b>	EN55032 Class B, FCC part15 subpart B Class B, ICES-003 Class B, VCCI Class B, RCM AS/NZS EN55032 Class B, CNS13438 Class B, KN22 Class B, EN55024, KN24, EN50581 ----- IEC/UL/EN60950-1

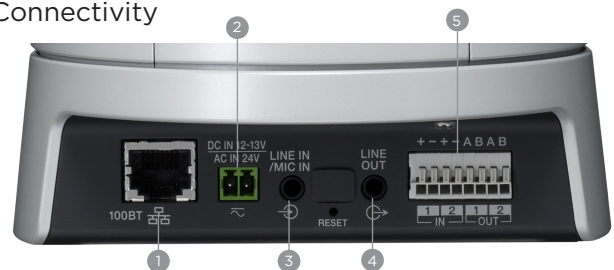
All data is based on Canon standard testing methods except where indicated. Subject to change without notice.  
™ and ®: All company and / or product names are trademarks and / or registered trademarks of their respective manufacturers in their markets and / or countries.

## Dimensions



canon.com  
Canon Europe  
canon-europe.com  
English edition  
© Canon Europa N.V., 2017

## Connectivity



- 1 Network Interface RJ45, 100Base-TX (Auto / Full-duplex / Half-duplex)
- 2 Power Connection Terminal 12V DC / 24V AC
- 3 Audio Input 3.5mm mono mini-jack
- 4 Audio Output 3.5mm mono mini-jack
- 5 External Device I/O 2 x Inputs / 2 x Outputs

Keep every angle covered

# VB-M44/B



The VB-M44/B 1.3 MP PTZ IP security camera combines a powerful 400x zoom, excellent low-light capability and fast auto-focus. Flexible installation options for indoor use.

Sales Start Date: Q1, 2018

#### Product Details:

Product Name	Mercury Code	EAN Code
Network Camera VB-M44	2542C001AA	4549292107289
Network Camera VB-M44B	2542C002AA	4549292106725

#### Optional Accessories:

Product Name	Mercury Code	EAN Code
AC Adapter PA-V18 (E)	8362B002AA	4960999986791
Indoor Dome Housing (DR41-C-VB)	6816B001AA	4960999914558
Indoor Dome Housing (DR41-S-VB)	6816B002AA	4960999914565
Ceiling Mount Cover (SS40-S-VB)	4962B001AA	4960999686721
Ceiling Mount Cover (SS40-B-VB)	4962B002AA	4960999688794
Pendant Mounting Kit (PC600-VB)	9918B001AA	4549292022551

#### Measurement / Logistic Information:

Product Name	Mercury code	Pack type	Pack description	Quantity per pack	Length (mm)	Width (mm)	Height (mm)	Net Weight (kg)	Gross Weight (kg)
Network Camera VB-M44	2542C001AA	EA	Each	1	229	187	210	Approx. 1.1	Approx. 1.6
Network Camera VB-M44B	2542C002AA	CT	Carton	4	438	392	264	Approx. 4.6	Approx. 7.4
		EP	Euro Pallet	—	—	—	—	—	—

#### What's in the box?

- VB-M44 Main Unit
- Power Connector
- Installation Guide
- Warranty Card
- Before Using this Camera
- EAC-Supported Guide